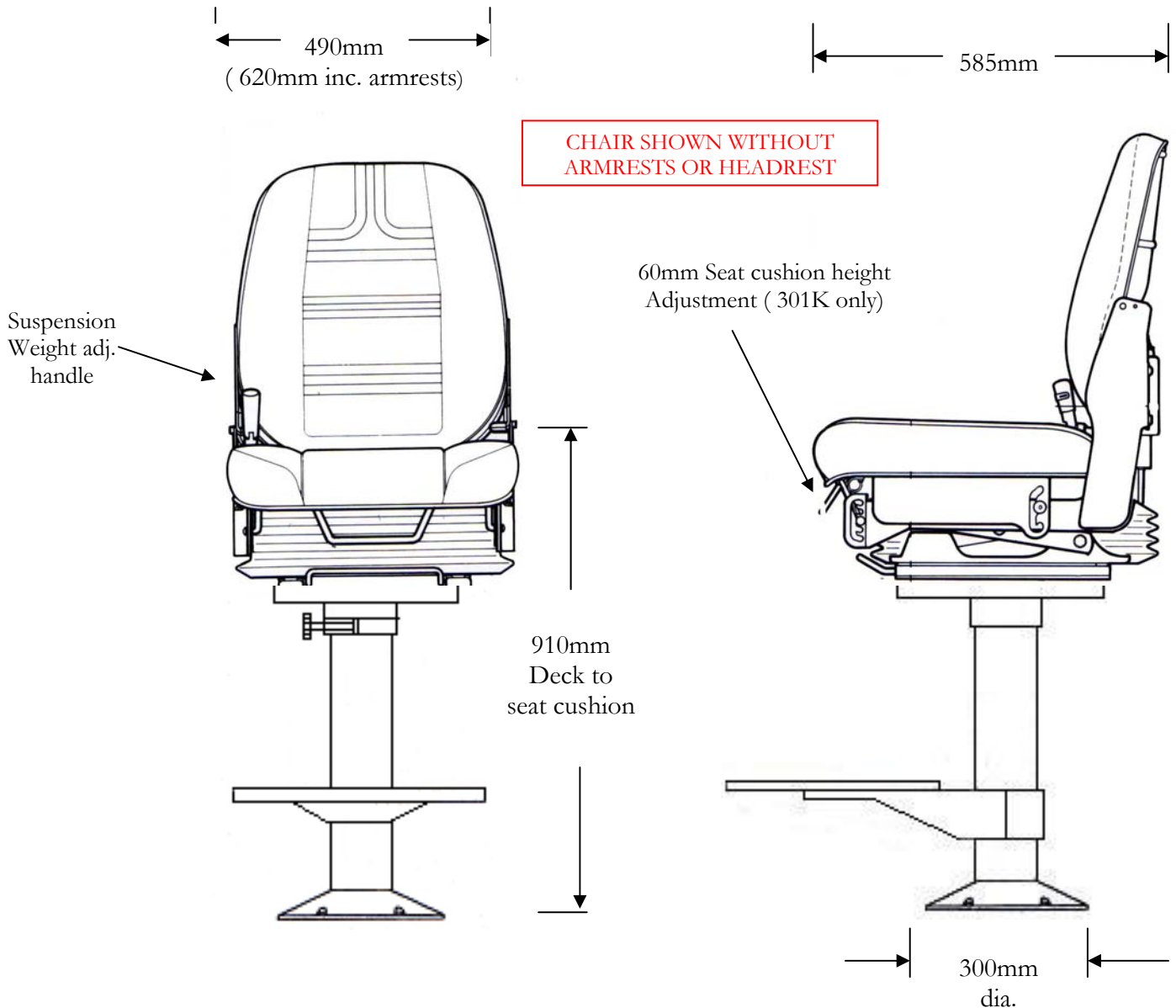


MARINE SEA VIKING 300/301 ON PEDESTAL/FOOTREST



FEATURES OF ABOVE CHAIR INCLUDE:-

- 100mm SUSPENSION UNIT WITH DAMPER TO ABSORB VIBRATIONS
- PVC, Fabric or leather trims (black PVC and fabric standard trim)
- Available with/without mounting pedestal/footrest
- Tiltable strengthened armrests (optional)
- Adjustable headrest (optional)
- Lap type seat belt (optional)