

# KAB//Seating

## Standard Class Truck Seats

### 711S/411S Series

### KAB AIR 711S (olimpo)

#### KAB 411S (fantasia)

LH version 178542  
RH version 178543  
Headrest 175245

**KAB  
411S**  
(sapphire)  
(not shown)  
LH182379

LH version 174548  
RH version 174547  
Headrest 175246



### 712 Series

LH version 178555  
RH version 178556  
Headrest 169730

**KAB  
AIR 712**  
(krakatoa)

**KAB  
AIR 711S**  
(fantasia)



LH version 174546  
RH version 174545

ENTER THE COMFORT ZONE

[www.kabseating.com](http://www.kabseating.com)

# KAB//Seating

## Standard Class Truck Seats

### 711S/411S Series

**Air and mechanical suspension seating for the Truck and Bus sectors.**

Features	AIR711S	411S	AIR 712
Air suspension - self levelling with double acting hydraulic damper	●		●
Mechanical suspension		●	
Vertical suspension stroke	100mm (4")	75mm (3")	75mm (3")
Height and tilt adjustment	● 100mm(4")	● 70mm(3")	● 60mm(3")
Driver weight adjustment 50-120 kgs (110-265lbs)	● automatic	● mechanical	● automatic
Suspension cover	●	●	●
Fore and aft adjustment of 160mm	●	●	●
Backrest angle adjustment of 70° rearwards and 65°	●	●	●
Adjustable headrest	○	○	○
Fantasia, Olimpo or Lotus Sapphire fabrics	●	●	○
Krakatoa Fabric / PVC	○	○	●
Adjustable armrests 50/70mm			○
Air operated lumbar support			●
Rapid Air Dump Valve			●

● Standard ○ Optional

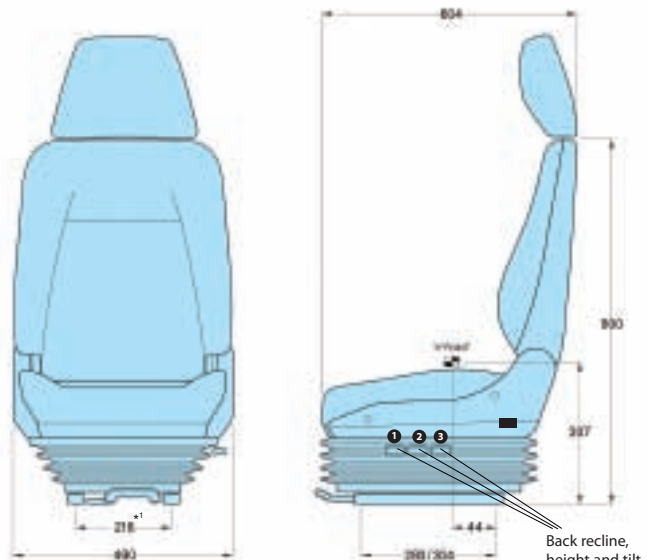
**The Air 711S and 411S seats were specially created for IVECO Eurocargo trucks, but equally fit most trucks and buses.**

### 712 Series

**The Air 712 is a low profile air suspension seat designed for medium and large trucks. It includes rapid dump valve feature to help the driver exit the cabin.**

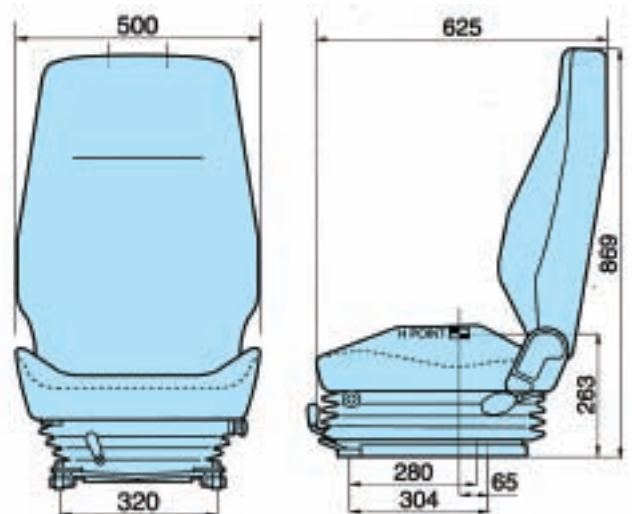
**The KAB Air 700 and mechanical 400 series are classic suspension seats offering the best in driver protection and a robust durable performance at economical prices.**

**They are available via KAB Seating's wide distributor network.**



AIR 711S shown above  
\*1. Front tilt  
2. Rear tilt  
3. Recline

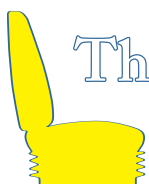
Back recline, height and tilt levers  
1. Front tilt  
2. Rear tilt  
3. Recline



AIR 712 shown above

- H Point
- Dimensions at mid suspension stroke, lowest height adjustment and fully back on sliderail adjustment
- Indicative dimensions

Distributor



**Thomas Scott (Seating)**

79 Eastmuir Street, Annick Industrial Estate, Glasgow, U.K. G32 OHS  
Tel:- +44-(0)141-763-2120 Fax:- +44-(0)141-763-2144  
E-Mail:- info@drivers-seats.com Web:- www.drivers-seats.com

**These models are just part of the 700/400 series. Static S-series seats are also available.**

**For further details contact your local KAB office.**